

S2M RELAY

SHORI

◆ Features

- Very small size with light weight.
- Various coil sensitivity types are available.
- Plastic sealed and flow solder types are available.
- Wide operation coil voltage range.



◆ Coil Data [at 23°C]

➤ Standard Type

Rated voltage (V)	Coil Resistance ±10% (Ω)	Rated Current ±10% (mA)	Pick up Voltage (Max)	Drop out Voltage (Min)	Max continuous Voltage	Power consumption At rated Voltage
3	45	66.7	80% of rated voltage	10% of rated voltage	130% Max of Rated voltage	Approx.0.2W
5	125	40				
6	180	33.3				
9	400	22.5				
12	700	17				
24	2800	8.6				

➤ High sensitivity Type

Rated voltage (V)	Coil Resistance ±10% (Ω)	Rated Current ±10% (mA)	Pick up Voltage (Max)	Drop out Voltage (Min)	Max continuous Voltage	Power consumption At rated Voltage
3	60	50	80% of rated voltage	10% of rated voltage	130% Max of Rated voltage	Approx.0.15W
5	167	30				
6	240	25				
9	540	16.7				
12	960	12.5				
24	3840	6.2				

◆ Contact Rating

Resistive load	2A/120VAC, 2A/24VDC
Max. switching current	2A
Max. switching voltage	120VAC
Max. switching capacity	240VA

◆ Type List

Terminal style	Contact form	Type	Designation(provided with)	
			Sealed type	Sealed type washable
PCB terminal	1C(SPDT)	Standard	S2M-12	S2M-12-S
	1C(SPDT)	High sensitivity	S2M-12B	S2M-12B-S

◆ Ordering information

S2M - 12 B - S
 1 2 3 4

1. S2M -- Basic series designation

4. S -- Sealed type washable

Blank -- Sealed type

2. 12 -- Coil Voltage (3V~24V)

3. Power Consumption

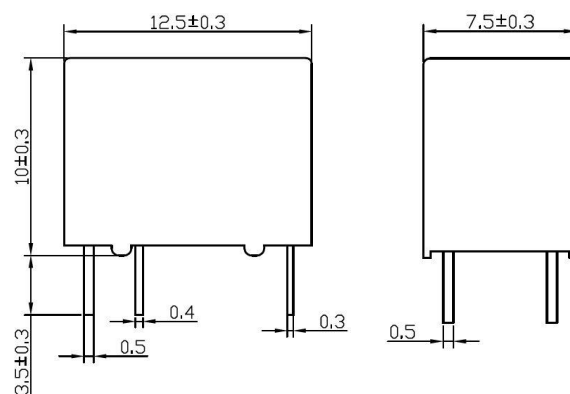
B --High sensitivity Type(0.15W)

Blank --Standard Type(0.2W)

◆ Specification

Contact material	Ag Alloy	
Contact resistance	100 mΩ Max	
Operate time	5 ms Max	
Release time	5 ms Max	
Insulation resistance	100 MΩ Min. (DC 500V)	
Dielectric strength	Between open contact : AC 400V ,50/60Hz 1 min.	
	Between contact and coil : AC 1000V, 50/60Hz 1 min.	
Vibration resistance	Operating extremes	10~50Hz, amplitude 1.5 mm
	Damage limits	10~50Hz, amplitude 1.5 mm
Shock resistance	Operating extremes	10G
	Damage limits	100G
Life expectancy	Mechanical	10,000,000 operations (frequency 18,000 operations/hr)
	Electrical	100,000 operations (frequency 1,800 operations/hr)
Operating ambient temperature	-30 ~ +70°C	
Weight	Approx 2.5 g	

◆ Outline Dimension



Dimension:mm

TOLERANCE:

<1mm:±0.2mm

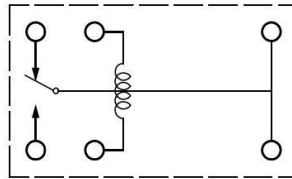
1-5mm:±0.3mm

>5mm :±0.4mm

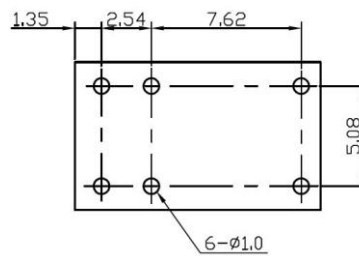
S2M RELAY

SHORI

◆ Wiring Diagram (BOTTOM VIEW)



◆ PC Board Layout (BOTTOM VIEW)



◆ Engineering Data

